

NOTE: FOR INSIDE INSTALLATIONS ONLY

OIL YELLER MK-003 LEAK DETECTION SYSTEM ALARM INSTRUCTIONS

Congratulations on your purchase of VISTASTAR's domestic oil system leak detection system (OIL YELLER™).

Please read all installation instructions prior to installing.

A. UNPACKING

The following contents are included with your Oil Yeller Alarm System:

1. Two (2) Float Hangers
2. One (1) Float
3. One (1) Alarm Unit, Model MK-003
4. One (1) plastic triangle support bracket
5. Two (2) #8 X 1.9 cm (#8 X.375") self tapping screws
6. One (1) nine-volt battery.

B. INSTALLATION

Note: VISTASTAR currently provides three types of leak containment trays that can be used to protect your oil storage system. Choose the correct tray model and proceed to the installation instructions pertaining to that model.

Model PA-001 & PA-003 Wide Trays

Note: Model PA-001 & Model PA-003 trays are designed to install the standard steel tank inside the tray (tank must be lifted and placed inside tray) See figure 4.

2. Sweep area where new tank is being installed. The area must be clean to insure no rocks or debris remains on the floor surface.
3. Position the large containment tray in the desired location. The alarm end (noted by the embossed Oil Yeller nameplate) should be oriented at the tank valve outlet.
4. Place the galvanized steel plates on the neoprene gaskets (Part BP-001) in the approximate resting location of the tank legs inside the tray.

NOTE: This is very important. Tank legs must not be allowed to sit directly on the plastic surface. This will damage the plastic surface and void the warranty.

5. Install tank and center tank in tray. The non-valve end of the tank should rest just inside the rear end of the tray.
6. Adjust the surface protectors so that the tanks legs are approximately centered on the plate surface.
7. Proceed to Section C for alarm installation.

Model PA-002 Retrofit Tray

2. Ensure area below an existing oil tank is free of debris and sufficient clearance exists to pass the tray between the support legs under the tank.

3. If enough room exists slide tray from one end between the legs until the tray sticks out through to the other end under the filter area. See figure 1.

Note: If the tray cannot be installed from one end see the following installation method.

4. Facing the exposed side of the tank, slide the back end of the tray under tank and through the legs. Extend the tray out the back end until the front of the tray can pass between the front legs.
5. Extend the front of tray (sump area) under the filter (if located in this area). The non-valve end of the tank should rest just inside the rear end of the tray. Note: trays are flexible, thus it may require some flattening to move the tray under the filter and into the desired location. **If your filter must be removed your oil heating service contractor should be contacted to complete this installation.**
6. Check to see that the tank, lines or filter are not leaking after the installation of the tray. If any leaks are noticeable call your oil company immediately.
7. Proceed to Section C for alarm installation.

Model PA-005 Burner L-Shape Tray

1. Clean floor area where burner tray will be positioned.
2. Slide "L-Shape tray under burner, fuel line and filter (if applicable). The tray should not touch the furnace jacket. Allow approximately 6 mm (1/4 inches) of space between the tray and

furnace jacket. See Figure 5.

3. Proceed to Section C for alarm installation

C. ALARM INSTALLATION

1. Position the triangular alarm support bracket on the desired corner of the tray (Velcro side up) and ensure pre-drilled holes are centered on tray flange. See **figure 2.0**
2. With the #8 self-tapping screws, attach alarm support bracket to the tray lip. Press firmly when starting screws and ensure screws are centered on the tray flange. Install both screws. Hint: Start the screws in the support bracket first.
3. Select the correct hanger size. The long hangers are for deep wide trays. The short hangers are for the retrofit and L-shape burner style trays.
4. Alarm Installation: Pass one end of support hanger wire through the hole located at the end of the alarm actuator. Install float by pressing each end of hanger wire in center hole located on the float. Float should hang freely in the horizontal position. See **figure 3.0**
5. Remove battery cover and install nine-volt battery.
6. To check alarm functionality lift float with your finger. You should hear a loud beep for approximately 2 seconds

followed by 1 second beeps at approximate 10-second intervals. Lower float into resting position to switch from alarm mode to monitoring mode.

7. Place alarm on matching Velcro pad located on the support bracket. Float should be positioned just above the tray surface but not touching. If alarm activation is triggered when alarm is placed on the base, adjust either the positioning of the alarm unit on the base or bend the hanger wire slightly to allow the float to hang freely in the non-alarm mode.

INSTALLATION COMPLETED

D. TESTING

The unit can be tested at any time to ensure satisfactory operation by simply raising the float with your finger until the alarm is triggered. Environmental protection agencies, oil companies and insurance companies all recommend the oil storage system be visually checked once a month for signs of leakage. **At this time it is recommended that the alarm be checked.**

E. LOW BATTERY ALARM CIRCUIT

A new nine-volt alkaline battery is designed to last a minimum of two years. **A low battery voltage alarm circuit will trigger the alarm when battery voltage falls below acceptable levels.** The alarm will not stop beeping until the

battery is pulled and replaced (**a one second beep every ten seconds**).

F. EXTERNAL MONITORING CONNECTION

Oil Yeller Alarm Model MK-004 (sold separately) is specifically designed to connect directly to a home security system. To purchase contact VISTASTAR or your local security system or oil service contractor.

G. ADDITIONAL INFORMATION

For additional information about Oil Yeller or other products by VISTASTAR please visit our web site at www.oilyeller.com or call toll free 1-866-645-5325.

LIMITATIONS OF OIL LEAK DETECTION ALARM AND TRAY

An oil leak detection alarm is designed to provide warning of an oil tank or oil system leak at a reasonable cost. Early warning can mean the difference between an environmental loss and no loss at all. While oil leak detection alarms can provide invaluable protection for your property, it must be recognized that oil leak detection alarms have limitations.

Oil leak detection alarms cannot work without power. Battery operated alarms will not work without proper batteries, with dead batteries or if batteries are not installed.

Oil leak detection alarms are incapable of

sounding the alarm until oil has pooled in the sump area of the containment tray raising the level of the alarm float. Anything preventing the oil from reaching the float or interfering with the operation of the float may prevent or delay an alarm

Because oil leaks can develop in different ways and locations, it is impossible to predict how long it will take for the capacity of the containment tray to be exceeded. In some extremely rare cases, an oil tank will suffer a catastrophic leak and the contents of the tank could exceed the containment capacity of the tray immediately. However in most cases, leaks or overfills are not considered catastrophic thus giving the user sufficient notice of the requirement to rectify the situation.

Installation of an oil leak detection alarm is only part of a complete home oil tank safety program. Regular inspections of the tank, oil leak detection alarm and containment tray are important to determine if any visible signs of leakage has occurred, even if the alarm has not sounded.

If any sign of leakage has occurred call your Oil Company immediately.

Your oil leak detection alarm and containment tray is not a substitute for property insurance that includes an appropriate rider that covers oil leaks from domestic or basement oil systems. Consult your insurance agent.

LIMITED WARRANTY

VISTASTAR and Mark 1 Engineering

Limited warrants the enclosed Oil Yeller tray and alarm, excluding batteries, to the original consumer purchaser upon completion of registration by mailing the registration card, to be free from defects in materials and workmanship under normal use and service for 5 years from the date of purchase. This warranty is in lieu of any other warranty either expressed or implied. Proof of purchase required.

This product is intended to be used in the early detection of oil leaks.

VISTASTAR and Mark 1 Engineering Limited's obligation under this warranty is limited to the repair or replacement of the Oil Yeller alarm and tray at its option, that is found to be defective in work and materials in normal residential use. The customer is responsible for proper installation and supply of battery power.

In no case shall VISTASTAR and Mark 1 Engineering Limited's liability under any other remedy prescribed by law exceed the purchase price of the Oil Yeller alarm and tray. Your Oil Yeller alarm and tray is not a substitute for property insurance of any kind. Appropriate insurance coverage is your responsibility.

VISTASTAR and Mark 1 Engineering Limited do not assume any liability resulting from any claims or damages which may arise as a result

of an oil leak and/or spill. For greater certainty, this warranty does not cover the following:

1. CONSEQUENTIAL OR INCIDENTAL DAMAGES SUCH AS PROPERTY DAMAGE AND INCIDENTAL EXPENSES RESULTING FROM ANY BREACH OF THIS WRITTEN OR ANY IMPLIED WARRANTY

2. Damages caused by service performed by servicers other than VISTASTAR and Mark 1 Engineering Limited, or external causes such as abuse, misuse, improper installation and maintenance, failure of power supply or battery, or acts of God.

Some jurisdictions do not allow the exclusion or limitation of incidental or consequential damages, so the above limitation or exclusion may not apply to you. This warranty gives you specific legal rights which may vary from jurisdiction to jurisdiction.

For repair or replacement within the warranty period, send the product, prepaid to VISTASTAR, 40 Braeloch Court, Dartmouth, Nova Scotia, Canada B2W 6C8. Please enclose a note stating the nature of the difficulty, the serial number and proof of purchase. Any replacement only covers the unexpired portion of the original warranty.

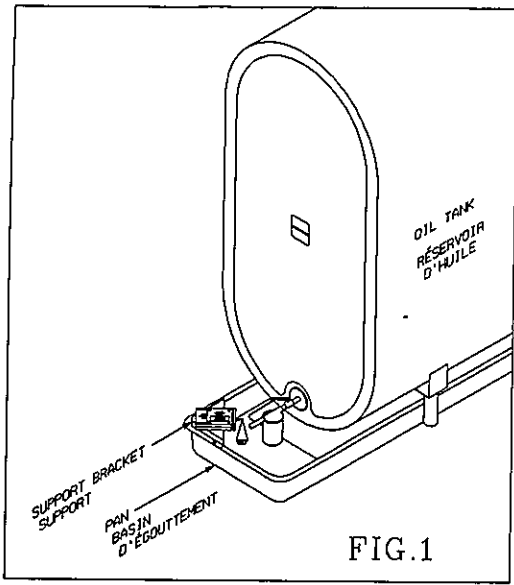


FIG. 1

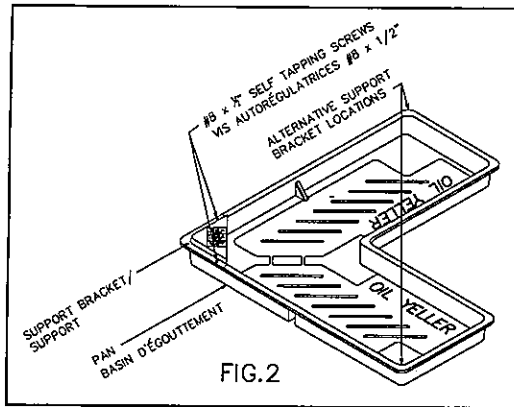


FIG. 2

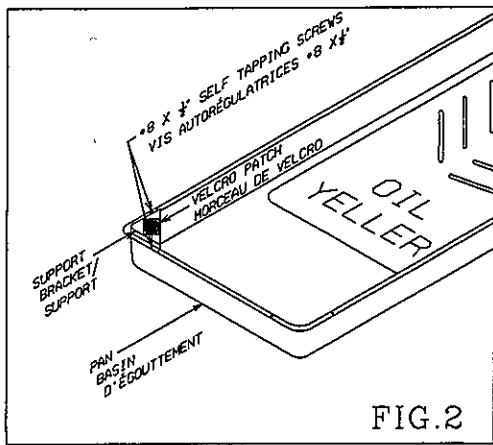
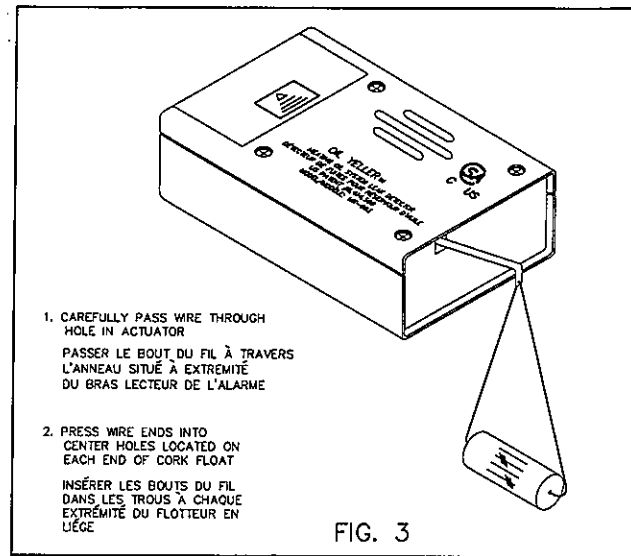


FIG. 2



1. CAREFULLY PASS WIRE THROUGH HOLE IN ACTUATOR
PASSER LE BOUT DU FIL À TRAVERS L'ANNEAU SITUÉ À EXTREMITÉ DU BRAS LECTEUR DE L'ALARME
2. PRESS WIRE ENDS INTO CENTER HOLES LOCATED ON EACH END OF CORK FLOAT
INSÉRER LES BOUTS DU FIL DANS LES TROUS À CHAQUE EXTREMITÉ DU FLOTTEUR EN LIÈGE

FIG. 3

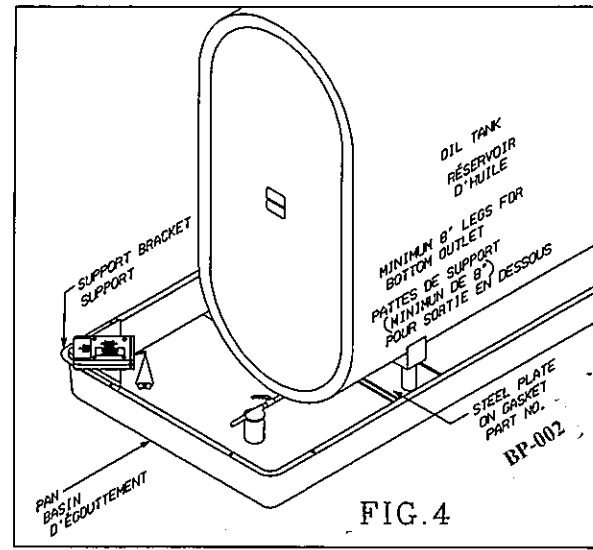
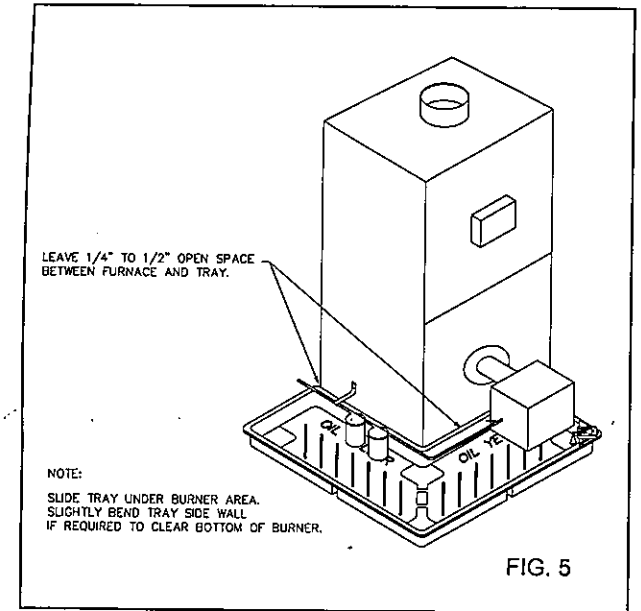


FIG. 4



LEAVE 1/4" TO 1/2" OPEN SPACE BETWEEN FURNACE AND TRAY.

NOTE:
SLIDE TRAY UNDER BURNER AREA. SLIGHTLY BEND TRAY SIDE WALL IF REQUIRED TO CLEAR BOTTOM OF BURNER.

FIG. 5

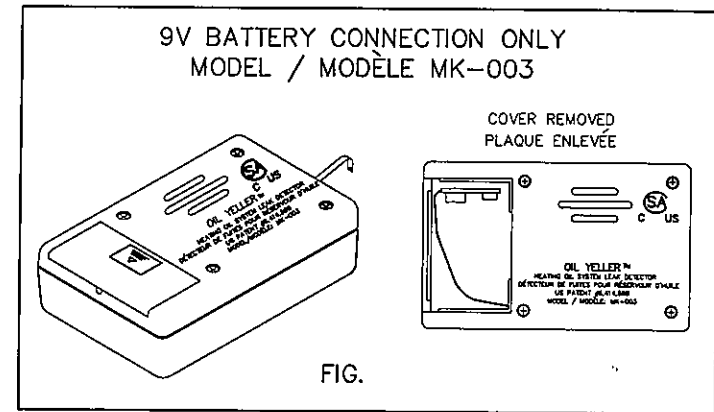


FIG.